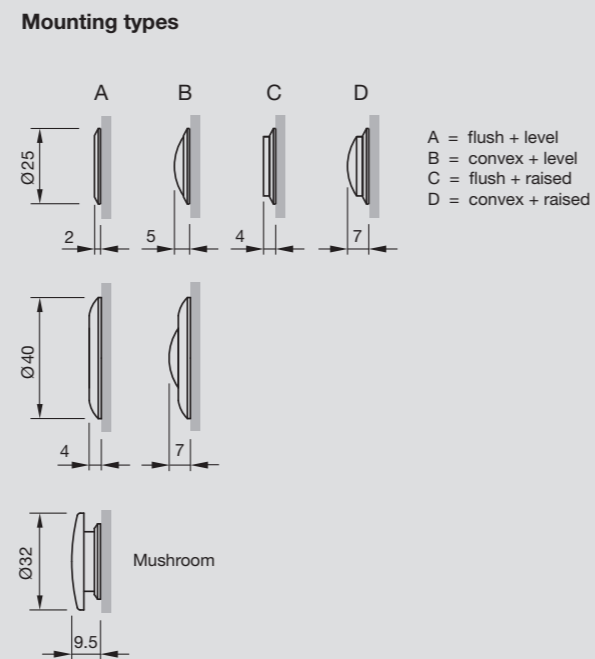
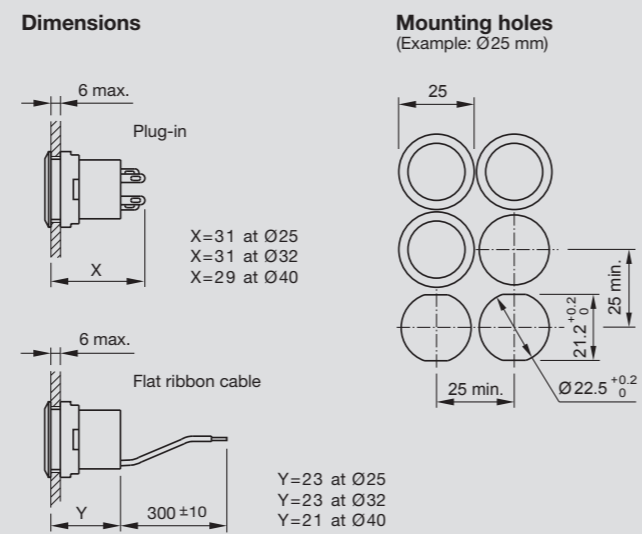


Series 84 | Product Selector

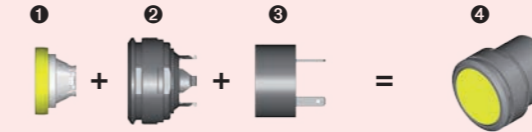
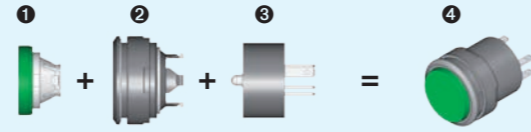
Series 84 | Product Selector



Series 84  
Product Selector

Part Number Assistant

Featured here are our product combinations.  
Other options available on request.



**Illuminated**  
(Illuminated lens, non-illuminated bezel)

**Non-illuminated**  
(Lens and bezel non-illuminated)

**Halo Illumination**  
(Illuminated bezel)

**Lens 1**

Description	Illuminated								Non-illuminated								Halo Illumination	
	Illuminated ring	Illum. On/Off	Illum. Stand-by	Transparent	Transparent	Spot illumination	Spot illumination	Opaque Plastic	Opaque Plastic	Opaque Aluminium	Opaque Aluminium	Opaque Aluminium	Opaque Aluminium	Opaque Plastic	Opaque Aluminium	Opaque Aluminium		
Material	Plastic	Plastic	Plastic	Plastic	Plastic	Aluminium	Aluminium	Plastic	Plastic	Aluminium	Aluminium	Aluminium	Aluminium	Plastic	Aluminium	Aluminium		
Shape	Flush	Flush	Flush	Flush	Flush	Flush	Flush	Flush	Flush	Flush	Flush	Flush	Flush	Mushroom	Flush	Convex		
Mounting type	Level with bezel	Level with bezel	Level with bezel	Level with bezel	Raised above bezel	Level with bezel	Raised above bezel	Level with bezel	Raised above bezel	Level with bezel	Raised above bezel	Level with bezel	Raised above bezel	Raised above bezel	Raised above bezel	Raised above bezel		
Black																		
Red	84-7111.201	84-7111.202	84-7111.203	84-7111.200	84-7115.200	84-7211.000	84-7215.000	84-7121.000	84-7215.000	84-7201.000	84-7205.000	84-7202.000	84-7202.000A	84-7124.000A	84-7205.000A	84-7202.000A		
Orange	84-7111.301			84-7111.300	84-7115.300					84-7201.200	84-7205.200	84-7202.200	84-7202.200A	84-7124.200A	84-7205.200A	84-7202.200A		
Yellow	84-7111.401			84-7111.400	84-7115.400	84-7211.400	84-7215.400			84-7201.400	84-7205.400	84-7202.400	84-7202.400A	84-7124.400A	84-7205.400A	84-7202.400A		
Green	84-7111.501	84-7111.502	84-7111.503	84-7111.500	84-7115.500	84-7211.500	84-7215.500			84-7201.500	84-7205.500	84-7202.500	84-7202.500A	84-7124.500A	84-7205.500B	84-7202.500A		
Blue	84-7111.601	84-7111.602	84-7111.603	84-7111.600	84-7115.600	84-7211.600	84-7215.600			84-7201.600	84-7205.600	84-7202.600	84-7202.600A	84-7124.600A	84-7205.600A	84-7202.600A		
Transparent	84-7111.701	84-7111.702	84-7111.703	84-7111.700	84-7115.700													
Anodised aluminium						84-7211.800	84-7215.800			84-7201.800	84-7205.800	84-7202.800	84-7202.800A		84-7205.800A	84-7202.800A		
Grey																		
Bi-colour possible	X	X	X	X	X	X	X											
Marking of marking plate possible																		

**Actuator (with bezel) 2**

Front dimension	Illuminated								Non-illuminated								Halo Illumination	
	25 mm dia. 22.5 mm dia. IP40		25 mm dia. 22.5 mm dia. IP67		25 mm dia. 22.5 mm dia. IP67		40 mm dia. 30.5 mm dia. IP67		25 mm dia. 22.5 mm dia. IP40		25 mm dia. 22.5 mm dia. IP67		25 mm dia. 22.5 mm dia. IP67		40 mm dia. 30.5 mm dia. IP67			
Mounting hole	IP40		IP67		IP67		IP67		IP40		IP67		IP67		IP67			
Front protection	IP40		IP67		IP67		IP67		IP40		IP67		IP67		IP67			
Actuator for	Illum. pushbutton		Indicator		Illum. pushbutton		Indicator		Pushbutton		Pushbutton		Pushbutton		Illum. pushbutton			
Bezel material	Plastic		Plastic		Aluminium		Aluminium		Plastic		Aluminium		Aluminium		Plastic			
Black	84-2101.0	84-3100.0	84-1101.0	84-0100.0	84-1201.0	84-1201.2	84-1201.4	84-1201.5	84-2101.0	84-1101.0	84-1201.0	84-1201.2	84-1201.4	84-1201.5	84-1201.6	84-1091.7		
Red					84-1201.2													
Yellow					84-1201.4													
Green					84-1201.5													
Blue					84-1201.6													
Natural					84-1201.7	84-0200.7								84-1221.7		84-0090.7		
White translucent																		

**Switching element 3**

Terminal	Cable 300 mm				Plug-in 2.8 x 0.8 mm				Cable 300 mm				Cable 300 mm		Plug-in 2.8 x 0.8 mm	
	Illum. pushbutton		Indicator		Illum. pushbutton		Indicator		Illum. pushbutton		Indicator		Pushbutton	Pushbutton	Pushbutton	
Switching element for	12VDC, 10mA		12VDC, 10mA		12VDC, 10mA		12VDC, 10mA		12VDC, 10mA		12VDC, 10mA		24VDC, 20mA		24VDC, 20mA	
Operating voltage/-current of LED	12VDC, 10mA		12VDC, 10mA		12VDC, 10mA		12VDC, 10mA		12VDC, 10mA		12VDC, 10mA		24VDC, 20mA		24VDC, 20mA	
Red	84-8511.2340	84-8001.2340	84-8511.2320	84-8001.2320	84-8511.2640	84-8001.2640	84-8511.2620	84-8001.2620	84-8511.2640	84-8001.2640	84-8511.2620	84-8001.2620				
Orange	84-8511.3340	84-8001.3340	84-8511.3320	84-8001.3320	84-8511.3640	84-8001.3640	84-8511.3620	84-8001.3620	84-8511.3640	84-8001.3640	84-8511.3620	84-8001.3620				
Yellow	84-8511.4340	84-8001.4340	84-8511.4320	84-8001.4320	84-8511.4640	84-8001.4640	84-8511.4620	84-8001.4620	84-8511.4640	84-8001.4640	84-8511.4620	84-8001.4620				
Green	84-8511.5340	84-8001.5340	84-8511.5320	84-8001.5320	84-8511.5640	84-8001.5640	84-8511.5620	84-8001.5620	84-8511.5640	84-8001.5640	84-8511.5620	84-8001.5620				
Blue	84-8511.6340	84-8001.6340	84-8511.6320	84-8001.6320	84-8511.6640	84-8001.6640	84-8511.6620	84-8001.6620	84-8511.6640	84-8001.6640	84-8511.6620	84-8001.6620				
White	84-8511.9340	84-8001.9340	84-8511.9320	84-8001.9320	84-8511.9640	84-8001.9640	84-8511.9620	84-8001.9620	84-8511.9640	84-8001.9640	84-8511.9620	84-8001.9620				
Bi-colour LED red/green													84-8515.8640	84-8005.8640	84-8005.8620	
Bi-colour LED yellow/green													84-8515.7640	84-8005.7640	84-8005.7620	
Non-illuminated													84-8510.0040	84-8510.0020		

**Accessories (optional)**

Accessories part	Marking plate	Legend frame	Legend plate insert	Front protective cap	Blind plug	Flat receptacle	Insulation sleeve	Plug	Lens remover	Mounting tool	Dismantling tool
Description	Marking on plate is possible by engraving or hot stamping. Specific symbols and markings are available on request.	30 x 50mm alu black adhesive for 25 mm dia. devices	14.5 x 23.5 mm alu natural adhesive / 14.5 x 23.5 mm alu black adhesive	Silicon, for flat lenses only	Size 25 mm dia. black for 25 mm dia. devices / Size 36 mm dia. black for 40 mm dia. devices	2.8 x 0.8 mm	For flat receptacle	Two plugs are needed for IP67 rear protection of switching element		For tightening or loosening of fixing nut of 25 mm dia. devices	For dismantling of switching element of actuator
Part-No.	61-9707.7	61-9980.0	704.968.0 / 704.968.1	84-9103.7	61-9453.0 / 704.964.8	84-9420	31-929	84-900	61-9730.0	84-997	84-998

**Example of complete switch 4**

Items no.	Part	Part No.	Colour of metal part	For in-depth information, please refer to the EAO catalogue.
1	Lens: plastic; green; transparent; raised	84-7115.500	Anodised aluminium parts may have visible variations due to technical production reasons.	www.eao.com/84STD-ps_en
2	Actuator: aluminium; natural; IP67	84-1201.7		
3	Switching element: LED white; 12VDC; 10mA; plug-in terminal 2.8 x 0.8 mm	84-8511.9320	Additional colours are available on request.	
Marking plate	Engraving on marking plate "START"; 4 mm letters; black filled			

Dimensions/Mounting types: Refer to last page

EAO reserves the right to alter specifications without further notice. 700.060.S84STD.03/12.08